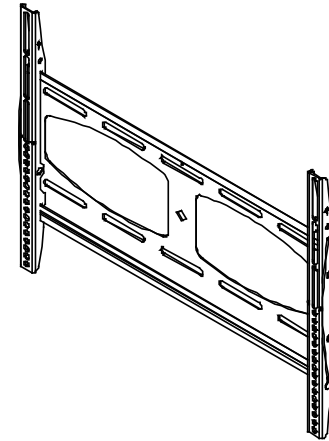
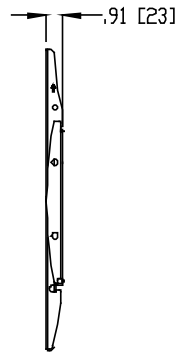
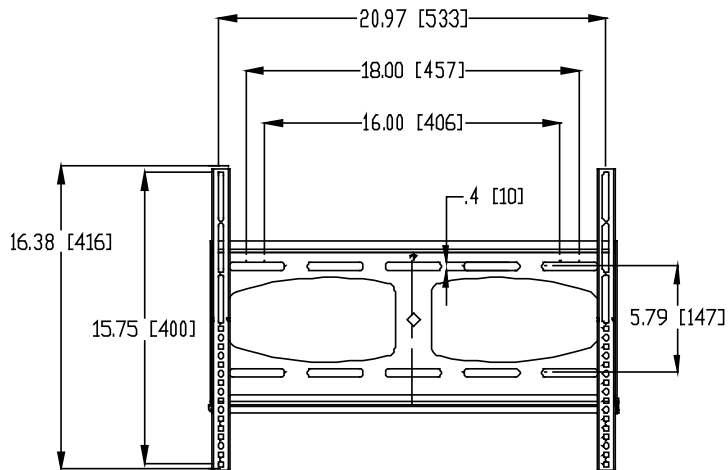
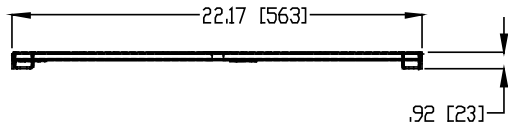


THE INFORMATION CONTAINED IN THIS DRAWING IS THE SOLE PROPERTY OF PREMIER MOUNT DIVISION OF <PMPI> ANY REPRODUCTION IN PART OR WHOLE WITHOUT THE WRITTEN PERMISSION OF PREMIER MOUNT DIVISION OF <PMPI> IS PROHIBITED.

REV. NO.		DESCRIPTION		DATE	APPROVED



FRONT ISOMETRIC

Architectural Specifications

The wall mount will be a LFFN-2637, or equivalent, and can be used to mount plasma/LCD displays from a variety of wall structures. It will mount to wood joists or concrete. It will be made of cold-rolled steel and will support up to 130lbs. It will feature built-in lateral shift with locking capability. The display will be supported using dedicated griplates and washers. It will be UL listed and approved. Assembly and installation will be performed according to the instructions provided by the manufacturer.

- Surface Types - Wood or Concrete
- Weight Capacity - 130lbs
- Dimensions - 22.17" (V) x 8.86" (H) x .92" (D); Brackets - 16.38" (H)
- Attachment - Lag Bolts and Concrete Wedge Anchors