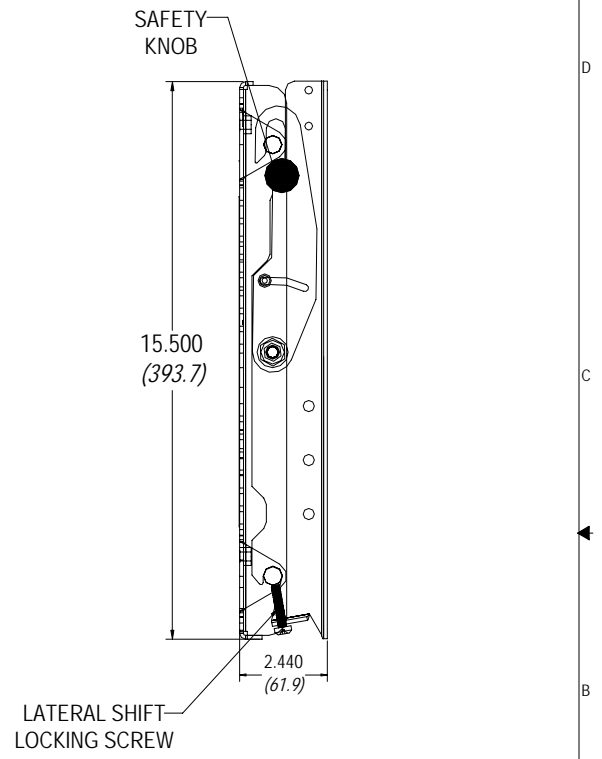
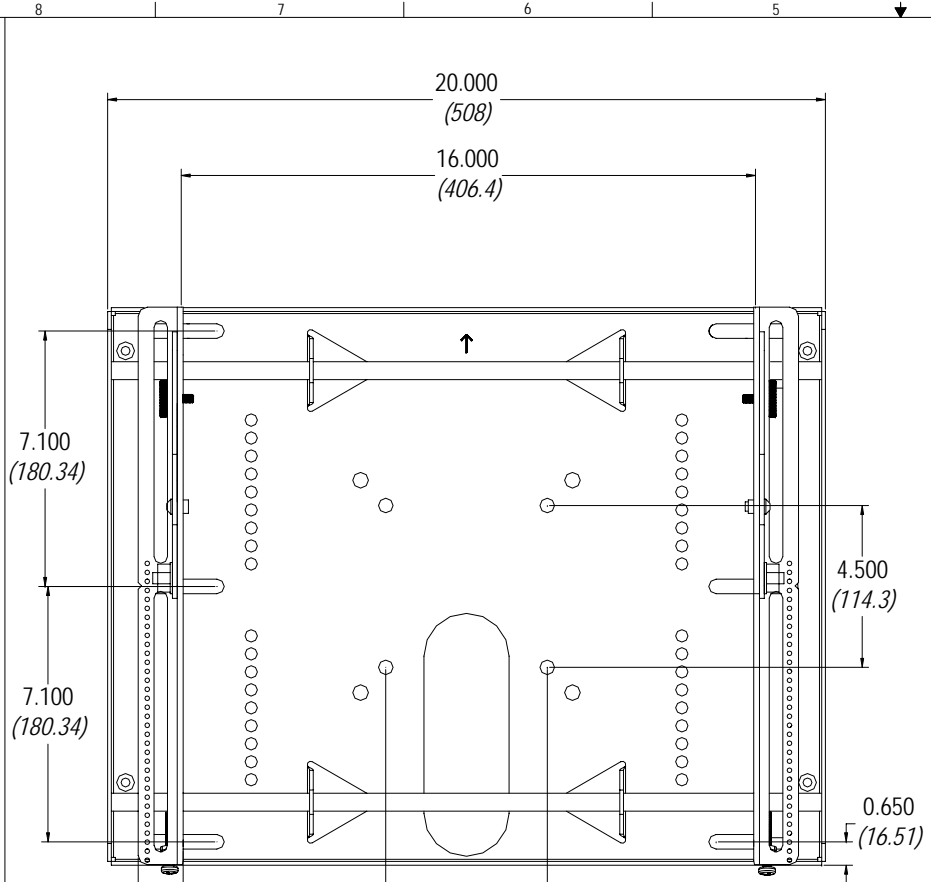


NOTE: THIS DRAWING AND THE SPECIFICATIONS CONTAINED HEREIN ARE CONFIDENTIAL AND PROPRIETARY. THEY ARE THE PROPERTY OF PREMIER MOUNTS... AND WILL NOT BE REPRODUCED IN ANY PART, OR COPIED OR USED IN WHOLE OR IN PART AS THE BASIS FOR THE MANUFACTURE OR SALE OF ITEMS WITHOUT WRITTEN PERMISSION. THIS IS AN UNPUBLISHED WORK PROTECTED UNDER THE FEDERAL COPYRIGHT LAWS.



Architectural Specifications
 The mount will be a Premier Mounts CTM-MS1, or equivalent, and can be used to mount plasma/LCD displays from a variety of wall structures. It will mount to wood joists or concrete. It will be made of cold-rolled steel and will support up to 160lbs. It will also feature built-in lateral shift and locking capability. The display will be supported using dedicated griplates and washers. It will be UL listed and approved. Assembly and installation will be performed according to the instructions provided by the manufacturer.

Surface Types - Wood or Concrete
 Weight Capacity - 160lbs.
 Dimensions - 20.00" (W) x 15.500" (H) x 2.440" (D); Brackets - 15.500" (H)
 Attachment - Griplates™ and Washers