



Each mount comes with two VESA mounting plates – one combination of 75/100 (mm) and one 75 (mm)-only plate for smaller mounting surfaces. All Prestige flat panel mounts easily support most VESA-standard LCD flat panels on the market today.

PRF FLAT PANEL MOUNT

Features: Mount comes in both VESA 75 and VESA-100 models. Stands .750" off the wall.

Lbs: 1

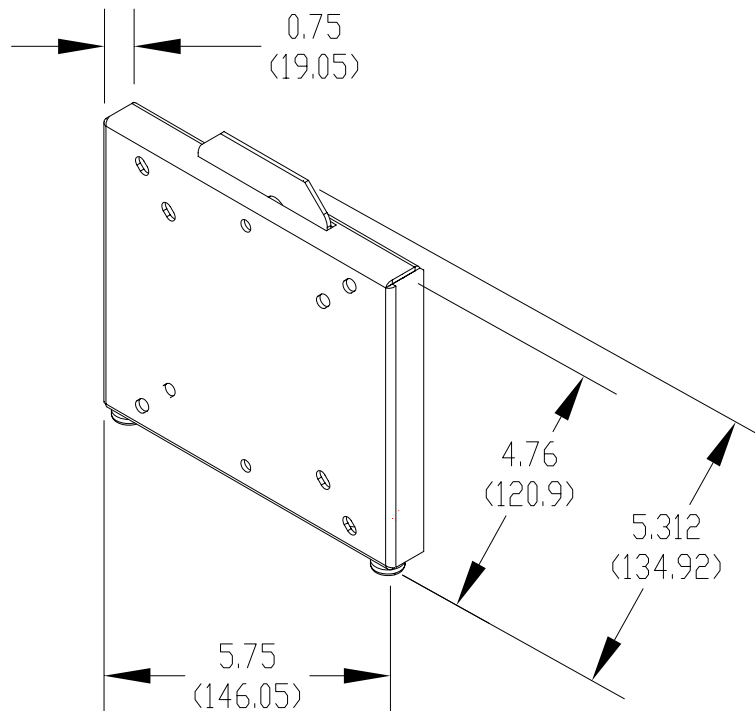
Description	Qty	Size
Wood screws	4	#10 x 1-1/4"
Anchors	4	#10
Handy box screws	2	6-32 x 1"
Monitor screws	4	M4 x 10 (mm)
Security screws	2	M6 x 12 (mm)
Monitor screws	4	M4 x 20 (mm)
Nylon spacers	4	.5"

HARDWARE

NOTE: If the screws (supplied) require being longer than M4 x 10 (mm) for your monitor, use commercially available (suitable hardware) to complete your installation.

NOTE: For monitors with a recessed VESA 75 use the four M4 x 20 (mm) Phillips screws and the .5" nylon spacers (supplied).

PRF



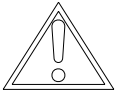
A DIVISION OF PROGRESSIVE MARKETING INC.

3130 E. Miraloma Ave. Anaheim, CA 92806
 Phone (800) 368-9700 Fax (800) 832-4888
 Visit us at: www.premiermounts.com

WARNING!



The wall should be capable of supporting a weight of at least 50 lbs. If it cannot, the wall must be reinforced. Proper installation procedure by qualified personnel as outlined in the installation instructions must be adhered to. Failure to do so could result in serious personal injury. It is strongly recommended that two people perform the installation procedures.



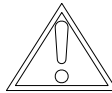
CAUTION! The entire installation instructions should be fully read and understood, including all of the safety symbols and safety precautions, before beginning installation. The installation instructions should be read, understood and followed to prevent personal injury or property damage. Keep these installation instructions in an easily accessible location for future reference.



Indicates that the power plug is to be disconnected from the power outlet.



Safety precautions must be taken at all times.



Warning and caution in general

INSTALLATION INSTRUCTIONS

PRF

Step 1

Check that you have all the hardware listed on the front of the page. If any of the hardware described is missing on your particular model do not continue, contact **PREMIER MOUNTS INC.** shown on the front cover.

Separate the plates and choose the location for the monitor and follow any safety and precautions from the monitor's manufacturer.

Single studs: For single wood studs use the two (2) middle mounting points found on the back plate. Locate the center of the wood stud behind the wall, mark the height and location desired. Drill two (2) 1/8" pilot holes on the marked wall. Secure the back plate to the center of the wood stud by using two (2) of the #10 wood screws (supplied). All electrical wiring should be done at this time use the two (2) 6-32 x 1" handy box screws (supplied) for your installation needs. Secure the front plate to the monitor using the four (4) M4 x 10 (mm) Phillip screws (supplied). The flange opening must be facing up and the flat surface touching the flat panel surface. Raise the monitor with the front plate attached and slip the top flange opening to the flange on the back plate. Slide the monitor down slowly. Make sure the back plate flange captures the front plate top flange opening before letting go of the monitor. Slide down and push in. To secure the two plates install the two (2) M6 x 12 (mm) securing screws to the bottom of the plates using a long Phillip head screwdriver.

Solid structure: Use the four (4) mounting points on the back plate. Choose the wall where the monitor will be located. Level and mark with a pencil the four (4) mounting points found on the back plate. Drill four (4) 1/16" pilot holes for the plastic anchors then secure the wall bracket with the four (4) #10 x 1 1/4" screws (supplied) to the anchors. All electrical wiring should be done at this time use the two (2) 6-32 x 1" handy box screws (supplied) for your installation needs. Secure the front plate to the monitor. The flange opening must be facing up and the flat surface touching the monitor surface. Secure using the four (4) M4 x

10 (mm) Phillip screws (supplied). Raise the flat panel with the front plate attached and slip the top flange opening to the flange on the back plate. Slide the monitor down slowly. Make sure the back plate flange captures the front plate top flange opening before letting go of the monitor. Slide down and push in. To secure the two plates install the two (2) M6 x 12 (mm) securing screws to the bottom of the plates using a long Phillip head screwdriver.

Recessed monitor: If you have a recessed VESA 75 the four (4) .5" nylon spacers and the four (4) M4 x 20 (mm) Phillips must be used to follow the single stud

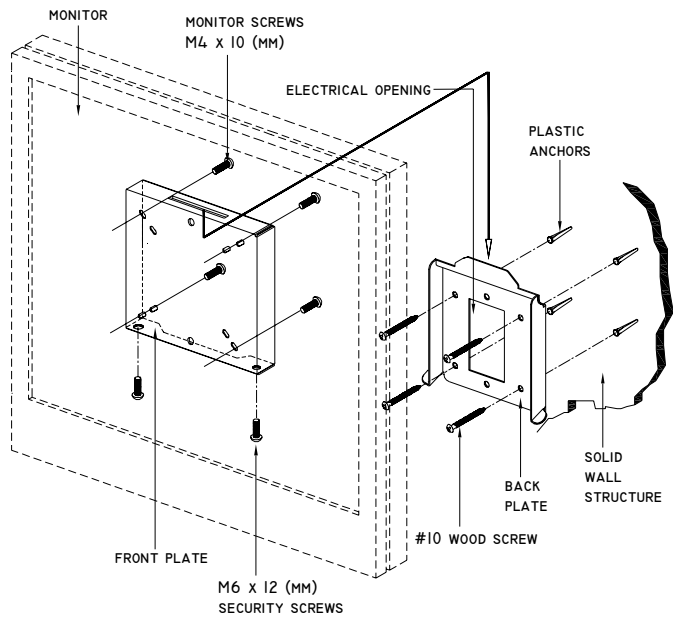
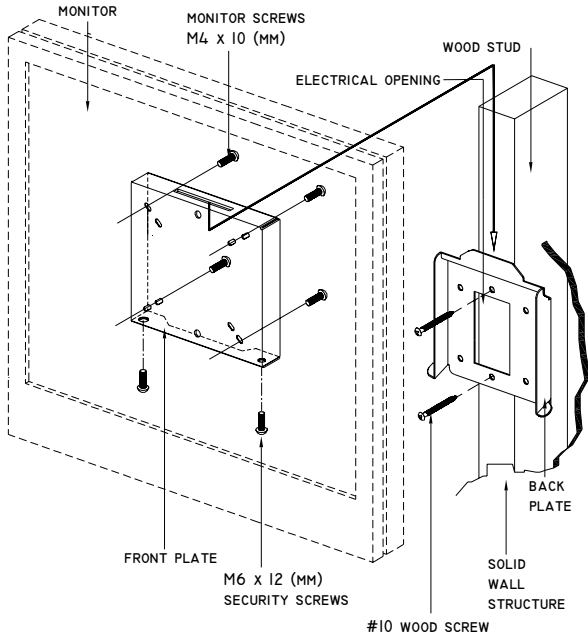
Or the solid structure installation methods to complete the installation.

CAUTION: Do not over tighten the M4 screws to the monitor. Failure to do so could result in damaging the threads and monitor.

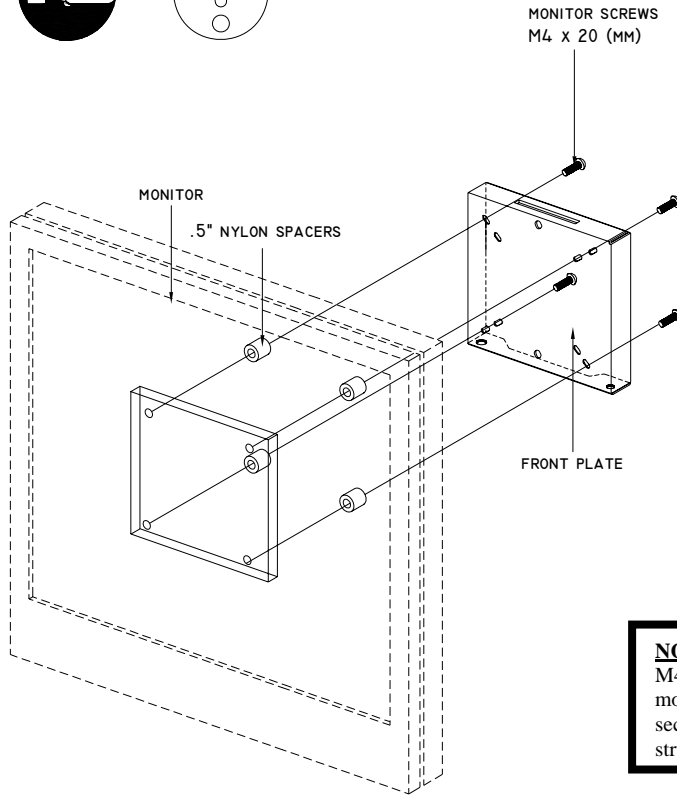
SINGLE STUD



SOLID STRUCTURE



RECESSED VESA 75



NOTE: Use the four (4) .5" nylon spacers and four (4) M4 x 20 (mm) if you have a recessed VESA 75 monitor to compensate for the indentation. Then secure both plates as shown on single stud or solid structure diagrams.

Thank you for choosing PREMIER MOUNTS for your installation needs. If you have any questions please contact PREMIER MOUNTS INC. information is shown on the front of this page.

