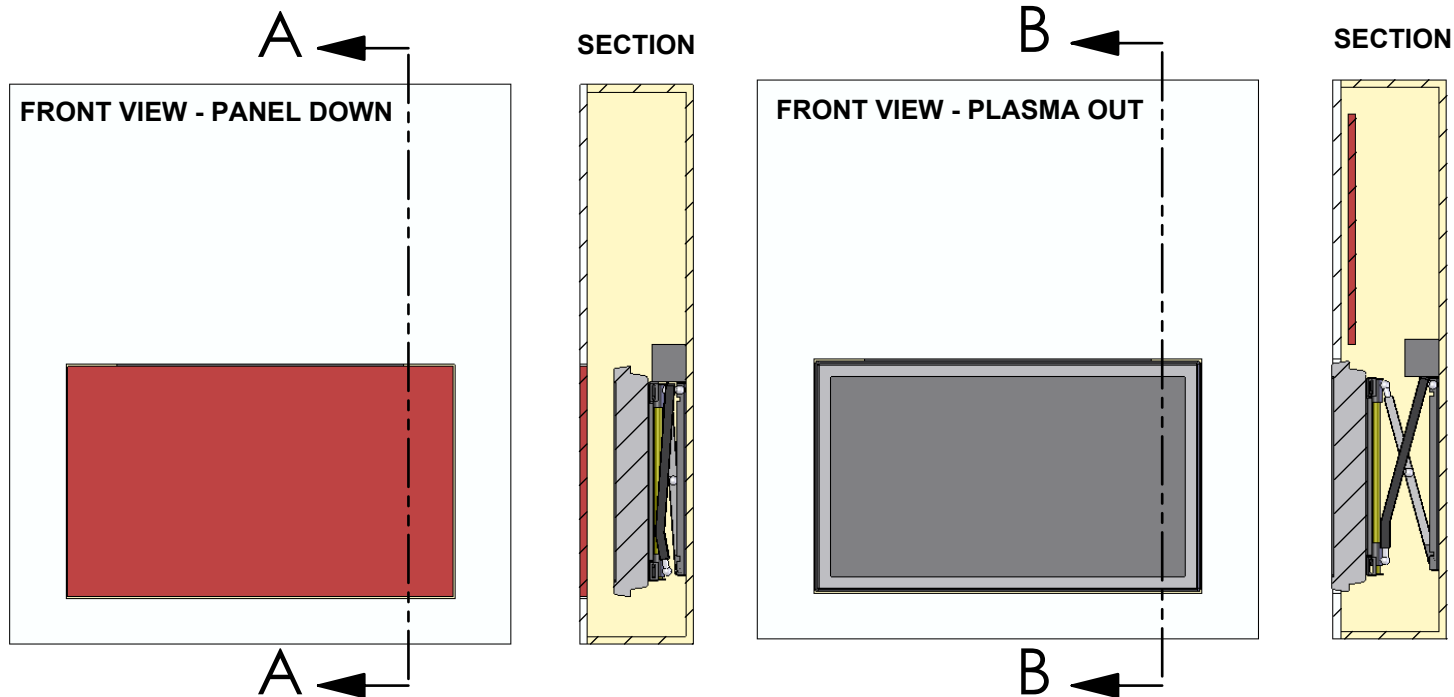


SPS - SLIDING PANEL SYSTEM



Three separate electric motors move the panel in, then up and then advance the plasma to fill the opening.

5mm shadow gap around the panel/plasma.

The ultimate moving panel mechanism.

FUNCTION

The SPS sliding panel system moves a panel inwards before moving it up (or down) inside an enclosure.

The Plasma TV is then moved outward to fill the opening in the front panel.

SUITABILITY

Custom made for screens from 32" to 65".

Panel can be fabric covered, an oak style panel or a picture.

See web site for examples.

SPECIFYING

An enclosure needs to be made behind the front panel. Once the screen has been chosen, the size of the enclosure can be determined.

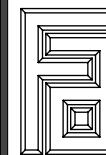
All dimensions and details must be adhered to.

CONTROL

Supplied with basic infrared remote control. Can be learnt by many learning remotes.

Also has switch control so can be operated by relays, switches, Crestron/AMX or Lutron systems.

www.futureautomation.co.uk



SPS

SLIDING PANEL
WITH PLASMA
ADVANCE

3/4/2007

Sheet 1 of 3

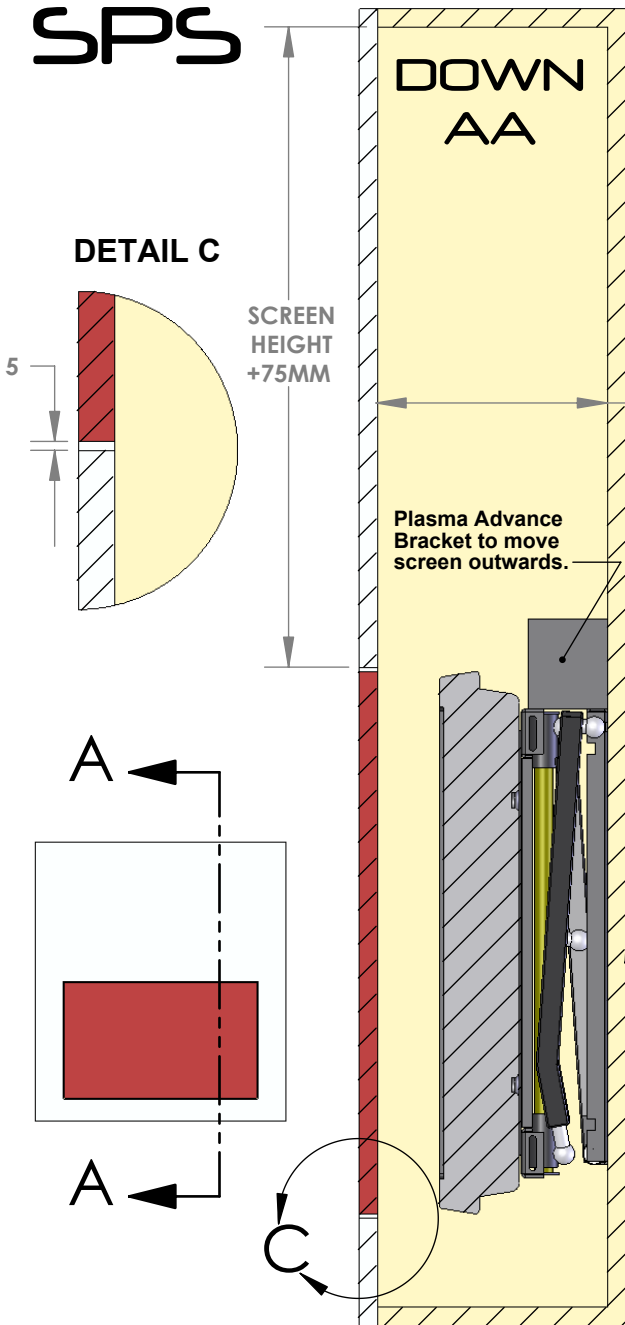
WARNING

IT IS THE RESPONSIBILITY OF THE INSTALLER TO WARN ALL POTENTIAL END USERS OF THE DANGERS OF INTERFERING WITH MECHANISMS DURING OPERATION

IMPORTANT

MECHANISMS WHICH LIFT OR MOVE WEIGHTS NEED TO BE CHECKED ON A YEARLY BASIS FOR ANY DAMAGE WHICH MAY RESULT IN AN ACCIDENT.

SPS



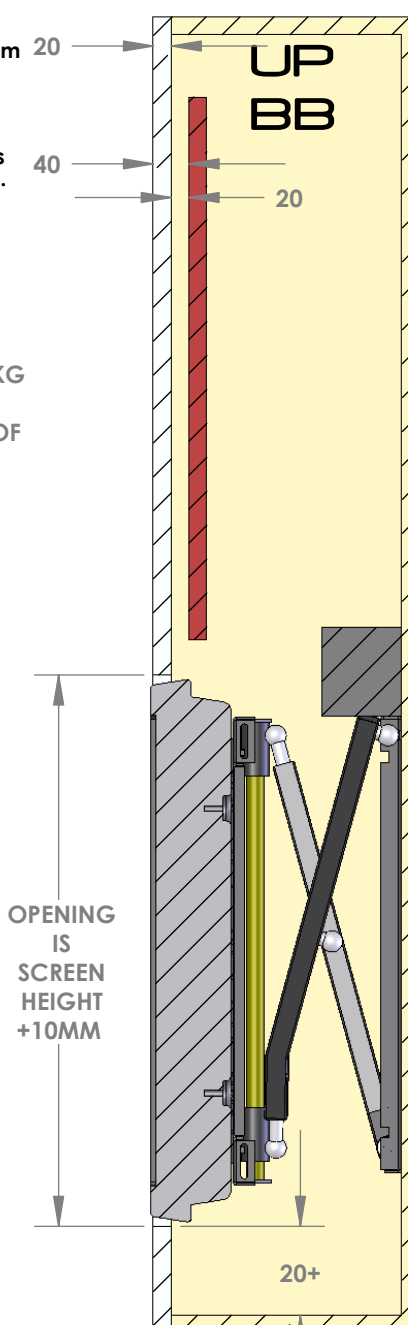
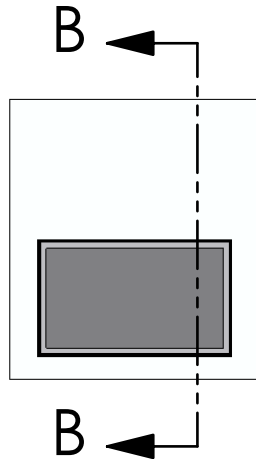
The mechanism moves the moving panel in by exactly 40mm. With a 20mm moving panel and a 20mm front panel this would give a clearance of 20mm between the two.

If the two panels were 30mm thick this clearance would be reduced to 10mm. This is the minimum recommended clearance.

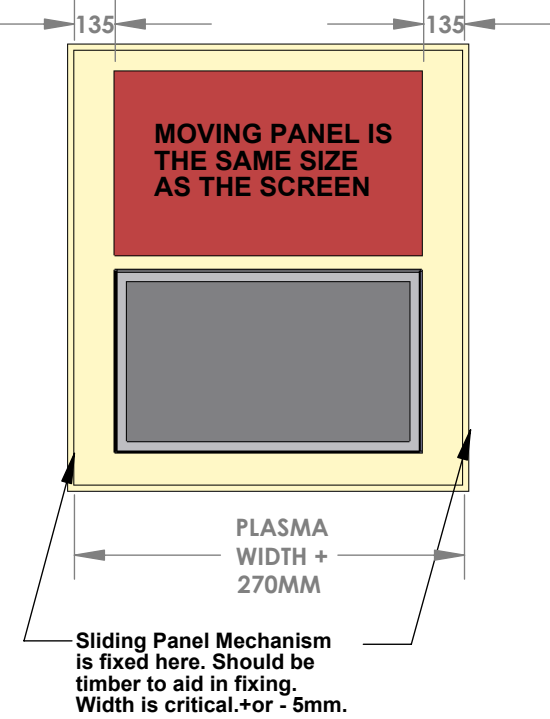
260 DEPTH FOR UP TO 100MM DEEP SCREEN WITH MAX WEIGHT OF 55KG

320 DEPTH FOR SCREENS OF UP TO 130MM DEEP OR OVER 55KG

SOLID SURFACE REQUIRED HERE TO FIX PLASMA BRACKET



FRONT PANEL REMOVED



The weight of the moving panel should be kept down to 10Kg.

The whole front panel should be removable to aid in installation.

A 240v supply will be required to power the mechanism.

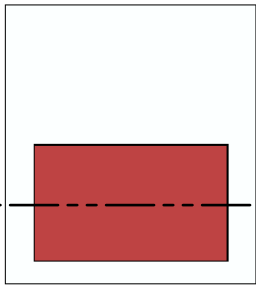
www.futureautomation.co.uk



3/4/2007

Sheet 2 of 3

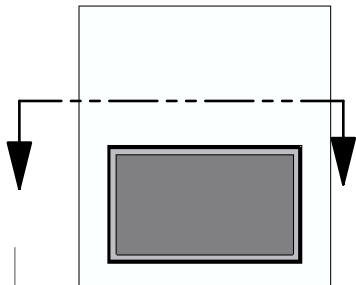
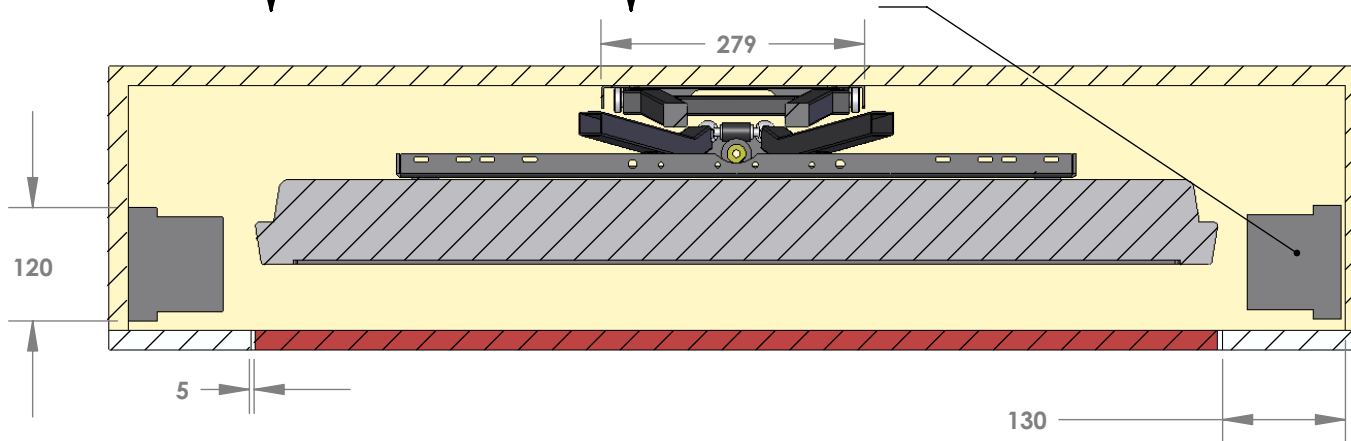
SPS



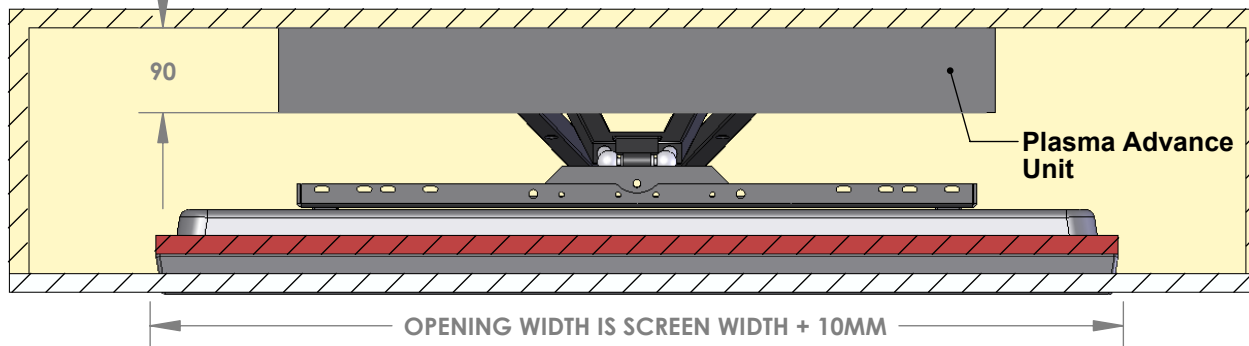
PLAN SECTION DOWN

Panel lifting mechanism fixes to the sides of the enclosure here.

Will move back before lifting panel.



PLAN SECTION UP



Various Options Available

The mechanism consists of three parts:

A Plasma Advance Bracket to move the screen out to fill the opening. Two versions are available. One for screens of up to 50" and weight 55Kg and one for deeper and heavier screens up to 65".

The Panel Lifting Mechanism takes the panel in and lifts it up and down. Two versions with different amounts of travel are available. The larger version can move a panel of up to 1170mm tall. This longer travel can be useful when fixing speakers or conference cameras under screens.

The Drive Mechanism contains the motors to power the panel in, out and up, down. Two widths and two lifting powers are available.

When Ordering state the screen make and model and its size. This will enable a custom system to be put together to suit the application.

www.futureautomation.co.uk



3/4/2007

Sheet 3 of 3