

FSM Flat Screen Manual Bracket

Technical Sheet

Sheet 1 of 2
ISSUE: 001

www.futureautomation.co.uk



FUNCTION

A double arm aluminium wall bracket designed for use with small screens.

Enables the screen to be moved away from the wall and swivelled left or right.

SUITABILITY

Suitable for all screens with VESA 100 / 75 compliant mount, weighing less than 12Kg.

VESA 100 mount is where 4 holes are spaced 2x2 at 100mm x 100mm square.

SPECIFYING

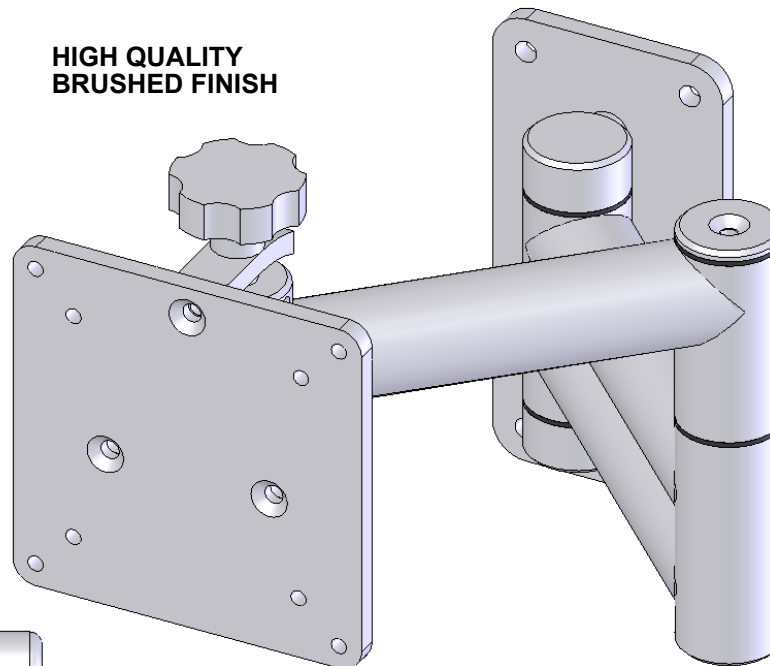
Check wall make up for suitability.

Check viewing angles and position for feasibility.

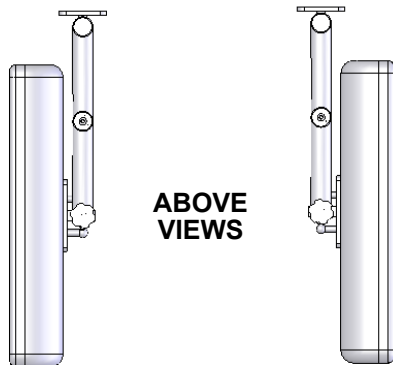
WALL FIXINGS

Wall fixings supplied for good quality brick work.

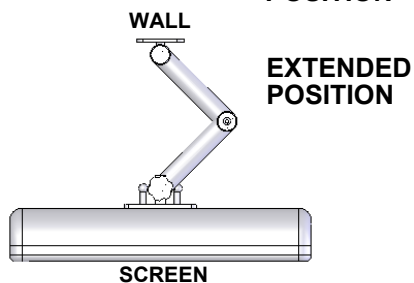
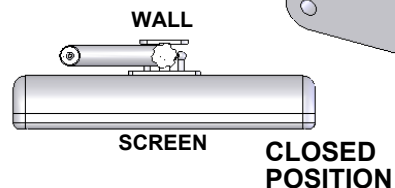
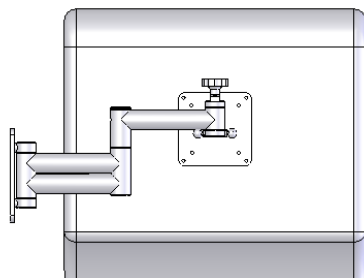
HIGH QUALITY
BRUSHED FINISH



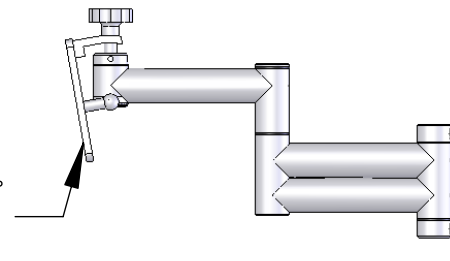
ABOVE
VIEWS



SIDE VIEW AT 90°



UP TO 10°
OF TILT



WARNING

It is the responsibility of the installer to make sure the product is safely secured to the wall / ceiling.

VESA

Vesa mounts are either:

- 4 holes 75 x 75 (VESA 75)
- 4 holes 100 x 100 (VESA 100)
- 6 holes 200 x 100 (VESA 200x100)
- 4 holes 200 x 200 (VESA 75)



FUTUREAUTOMATION

FSM Flat Screen Manual Bracket

Technical Sheet

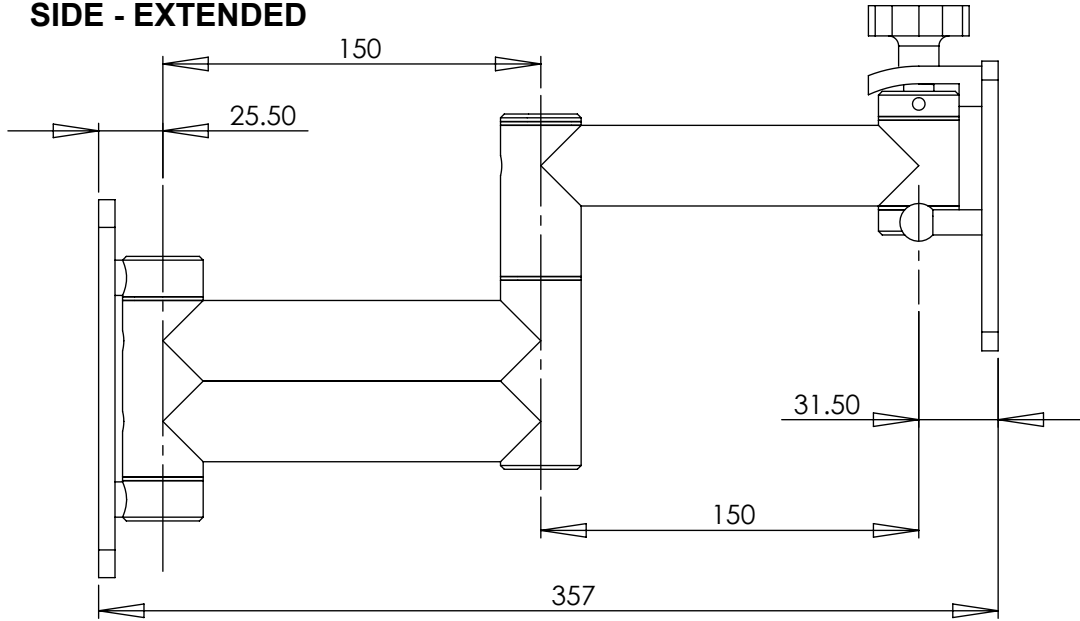
Sheet 1 of 2
 ISSUE: 001
www.futureautomation.co.uk



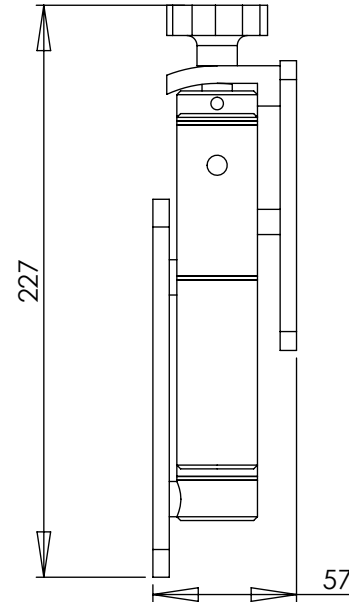
NOTES

All fixings supplied

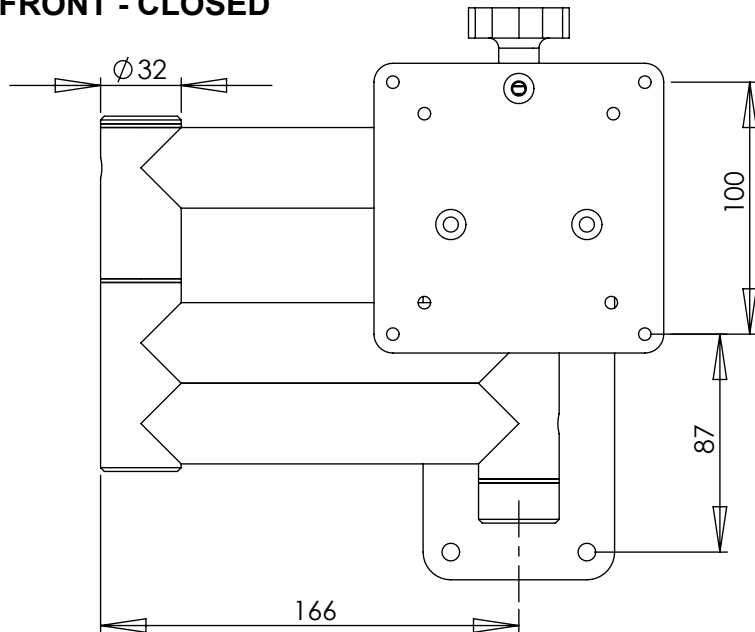
SIDE - EXTENDED



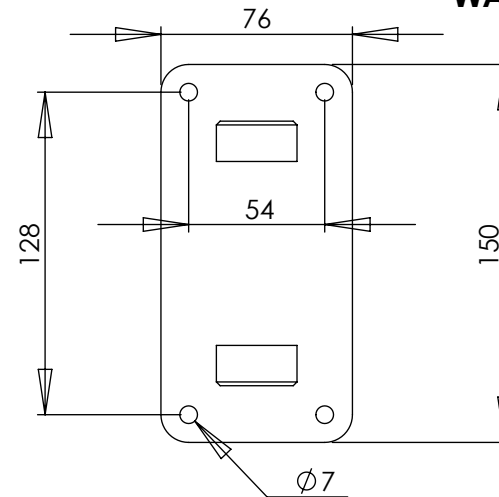
SIDE - CLOSED



FRONT - CLOSED



WALL PLATE



FUTUREAUTOMATION