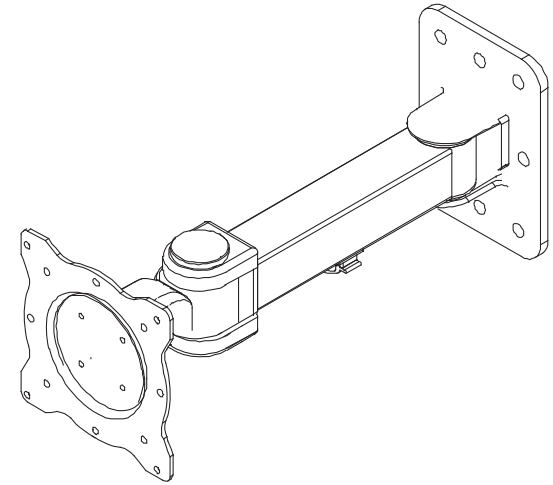
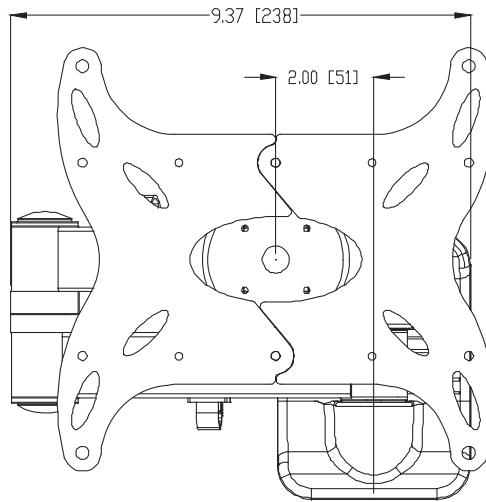
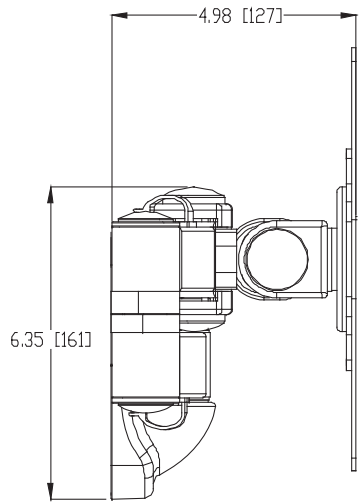


THE INFORMATION CONTAINED IN THIS DRAWING IS THE SOLE PROPERTY OF PREMIER MOUNT DIVISION OF <PMP> ANY REPRODUCTION IN PART OR WHOLE WITHOUT THE WRITTEN PERMISSION OF PREMIER MOUNT DIVISION OF <PMP> IS PROHIBITED.

REVISIONS			
REV.	DESCRIPTION	DATE	APPROVED



FRONT ISOMETRIC

Architectural Specifications

The wall mount will be a Premier Mounts LPSA-1530, or equivalent, and can be used to mount flat panel displays from a variety of wall structures. It will mount to wood joists or concrete. It will be made of cold-rolled steel and will support up to 50lbs. Assembly and installation will be performed according to the instructions provided by the manufacturer.

Surface Types - Wood or Concrete

Weight Capacity - 50lbs.

Dimensions - 9.37' (W) x 6.35' (H) x 4.98' (D)

Attachment - Wood Screws and Concrete Wedge Anchors