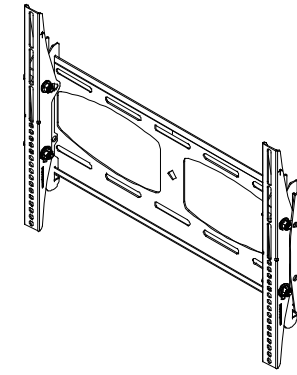
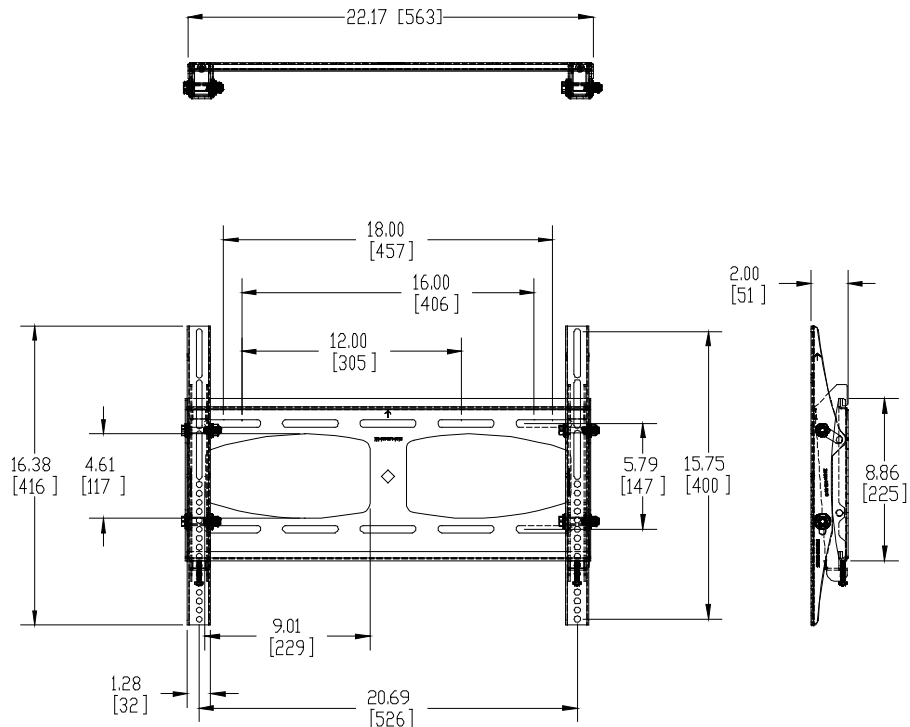


THE INFORMATION CONTAINED IN THIS DRAWING IS THE SOLE PROPERTY OF PREMIER MOUNT DIVISION OF <PMPI> ANY REPRODUCTION IN PART OR WHOLE WITHOUT THE WRITTEN PERMISSION OF PREMIER MOUNT DIVISION OF <PMPI> IS PROHIBITED.

REVISIONS			
REV.	DESCRIPTION	DATE	APPROVED



Architectural Specifications
 The wall mount will be a LPTM-2637, or equivalent, and can be used to mount plasma/LCD displays from a variety of wall structures. It will mount to wood joists or concrete. It will be made of cold-rolled steel and will support up to 130lbs. It will feature built-in lateral shift with locking capability. The display will be supported using dedicated g-plates and washers. Assembly and installation will be performed according to the instructions provided by the manufacturer.

Surface Types - Wood or Concrete
 Weight Capacity - 130lbs.
 Dimensions - 22.17" (W) x 8.86" (H) x 2.00" (D); Brackets - 16.38" (H)
 Attachment - Lag Bolts and Concrete Wedge Anchors