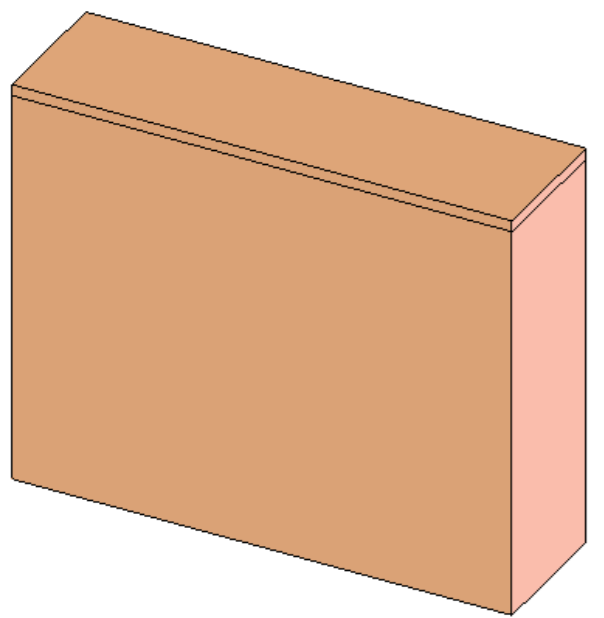


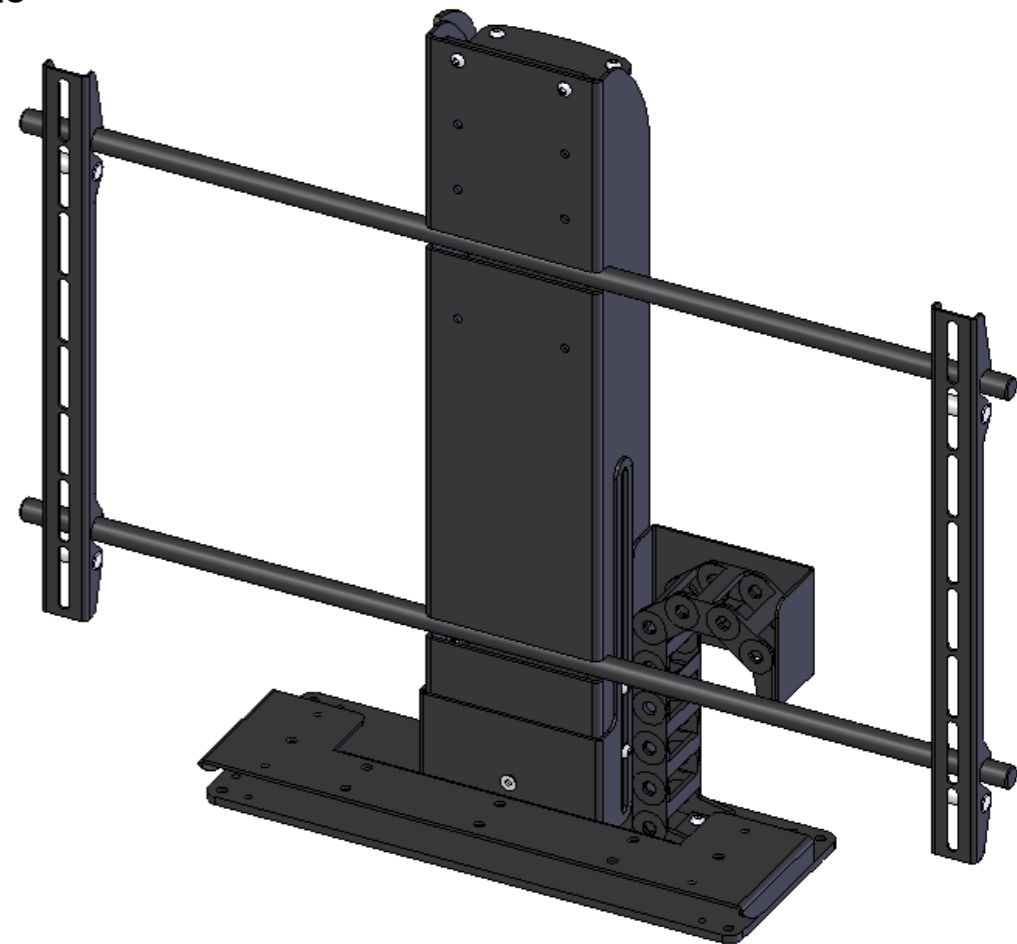
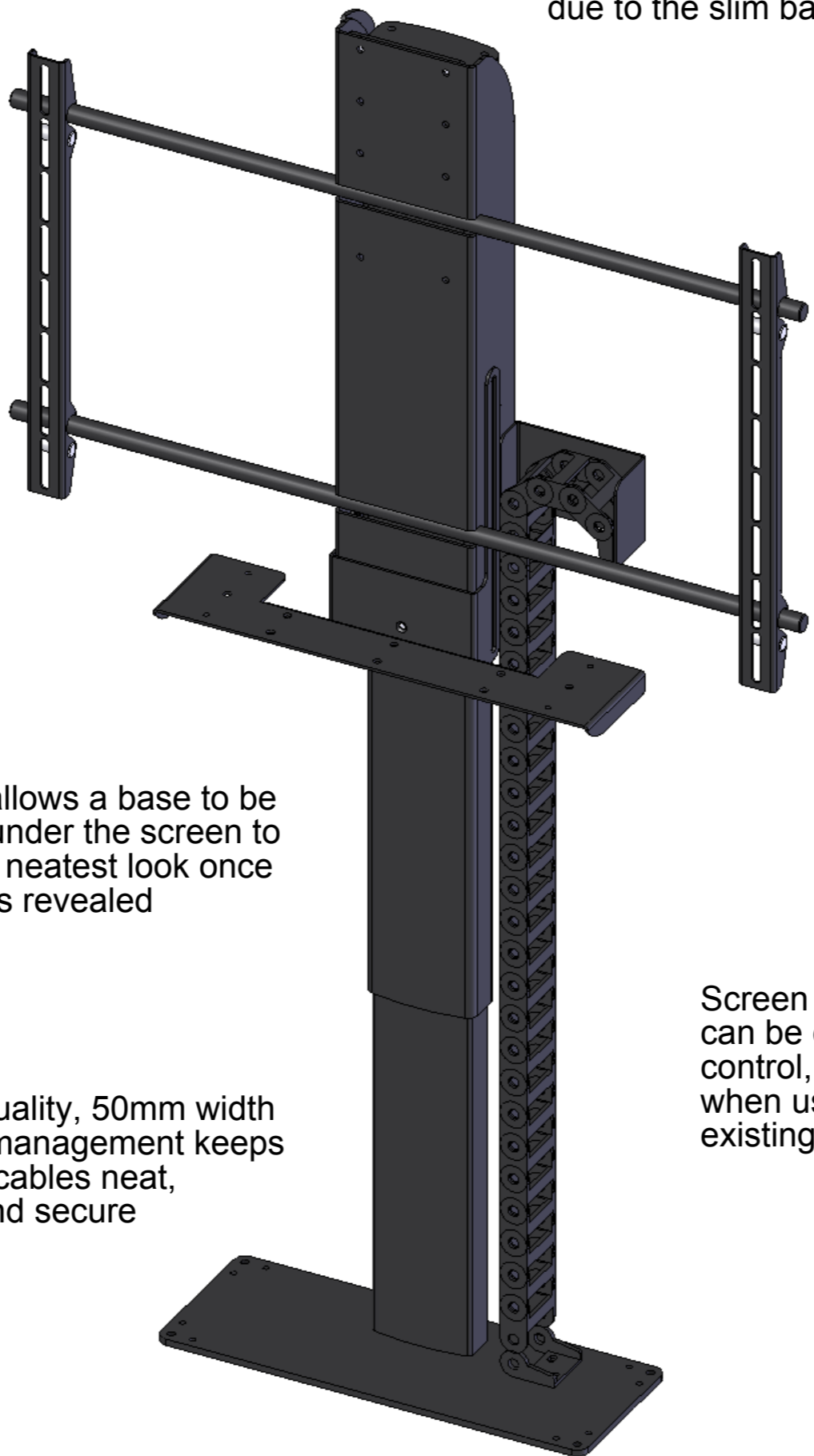
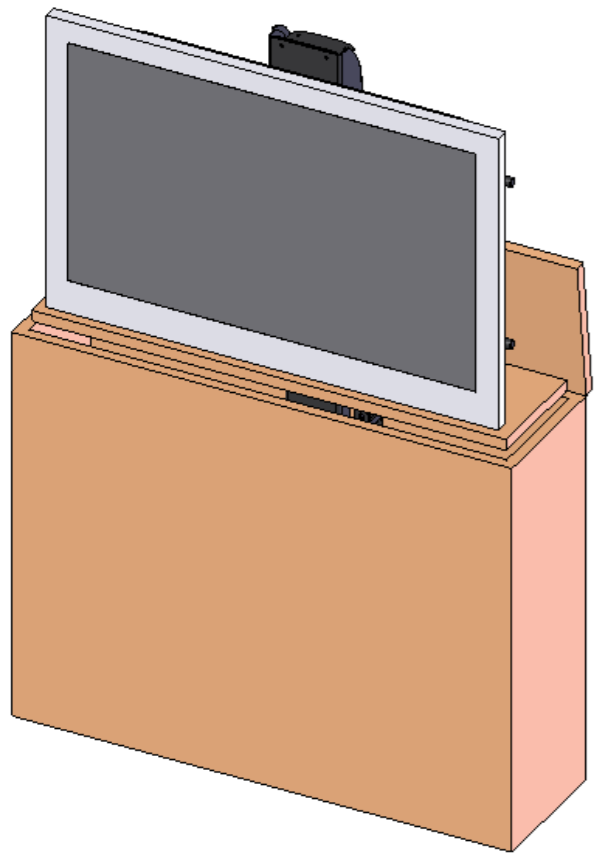
Future Automation can always cater for unconventional mounting systems, such as Loewe and Bang & Olufsen

Suitable for mounting the slimest screens available due to the slim base plate

CLOSED



OPEN



AL675 allows a base to be placed under the screen to give the neatest look once screen is revealed

Smooth, whisper quiet, screen lifting mechanism with 675mm of travel

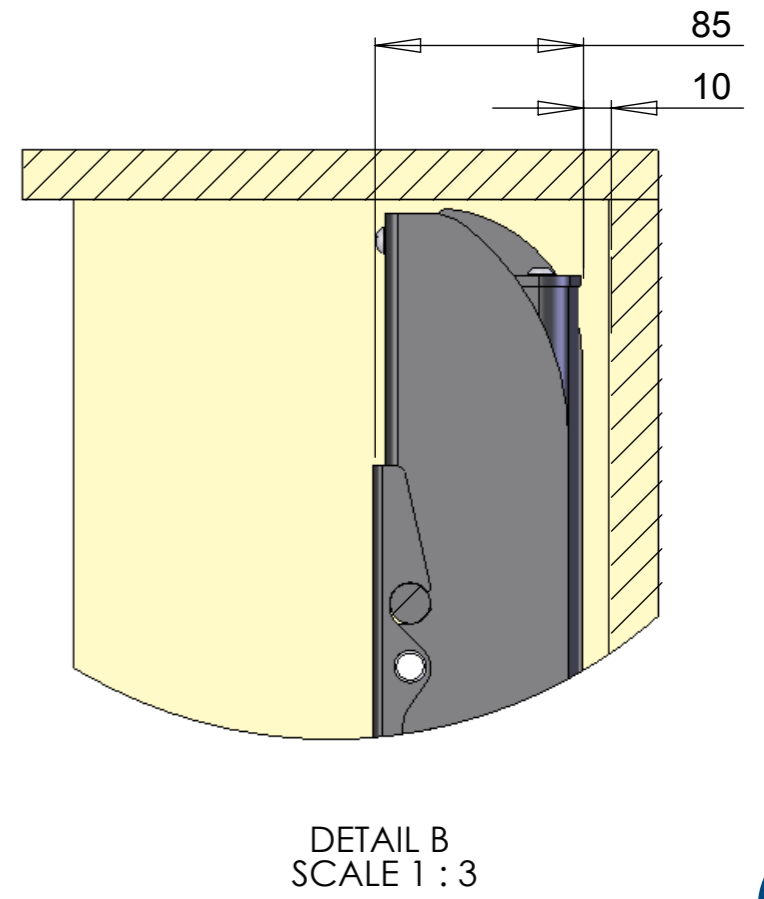
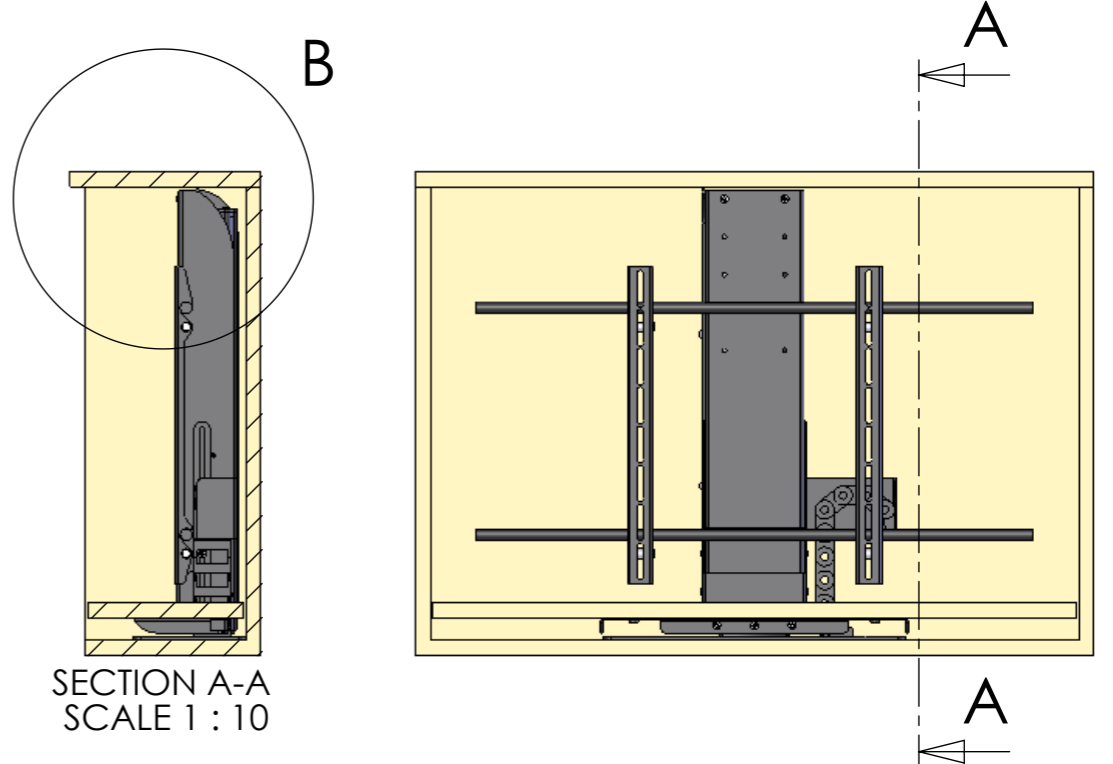
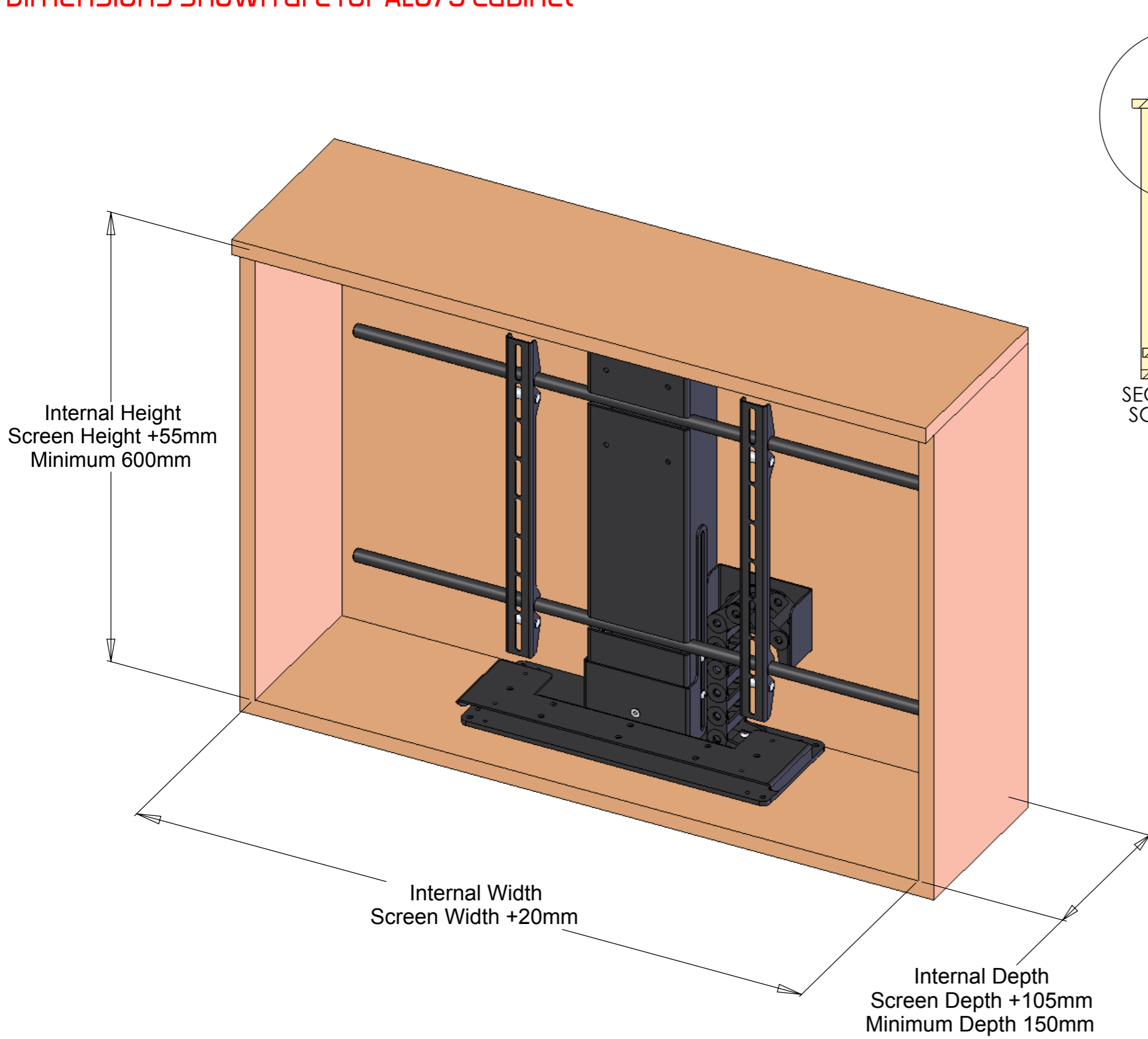
High quality, 50mm width cable management keeps all AV cables neat, safe and secure

Screen start and finish height can be easily learnt by remote control, giving more flexibility when used in taller or even existing cabinets

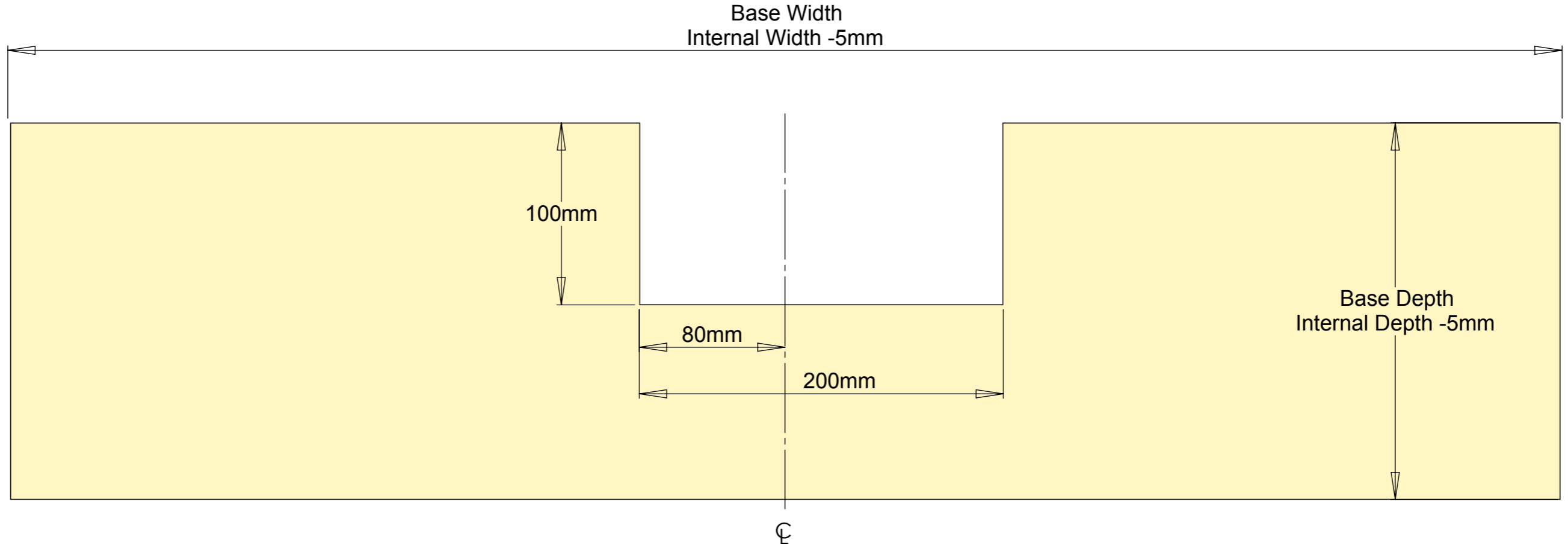
Mechanism can be controlled by RS232 and contact closure as standard. A choice of either IR or RF remote control is available

AL675 - Actuator Lift

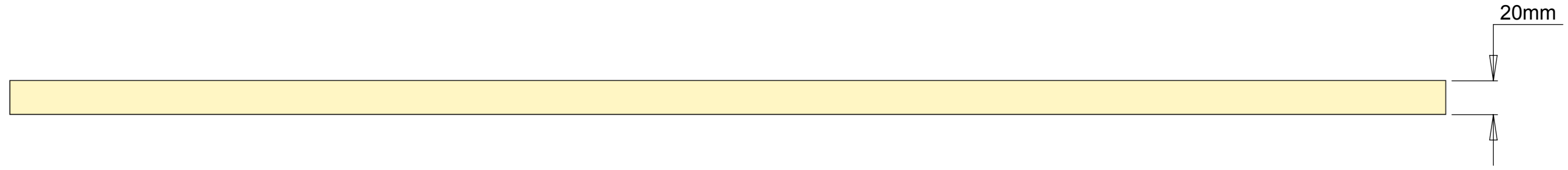
Dimensions shown are for AL675 Cabinet



AL675 Base Dimensions



VIEWING SIDE

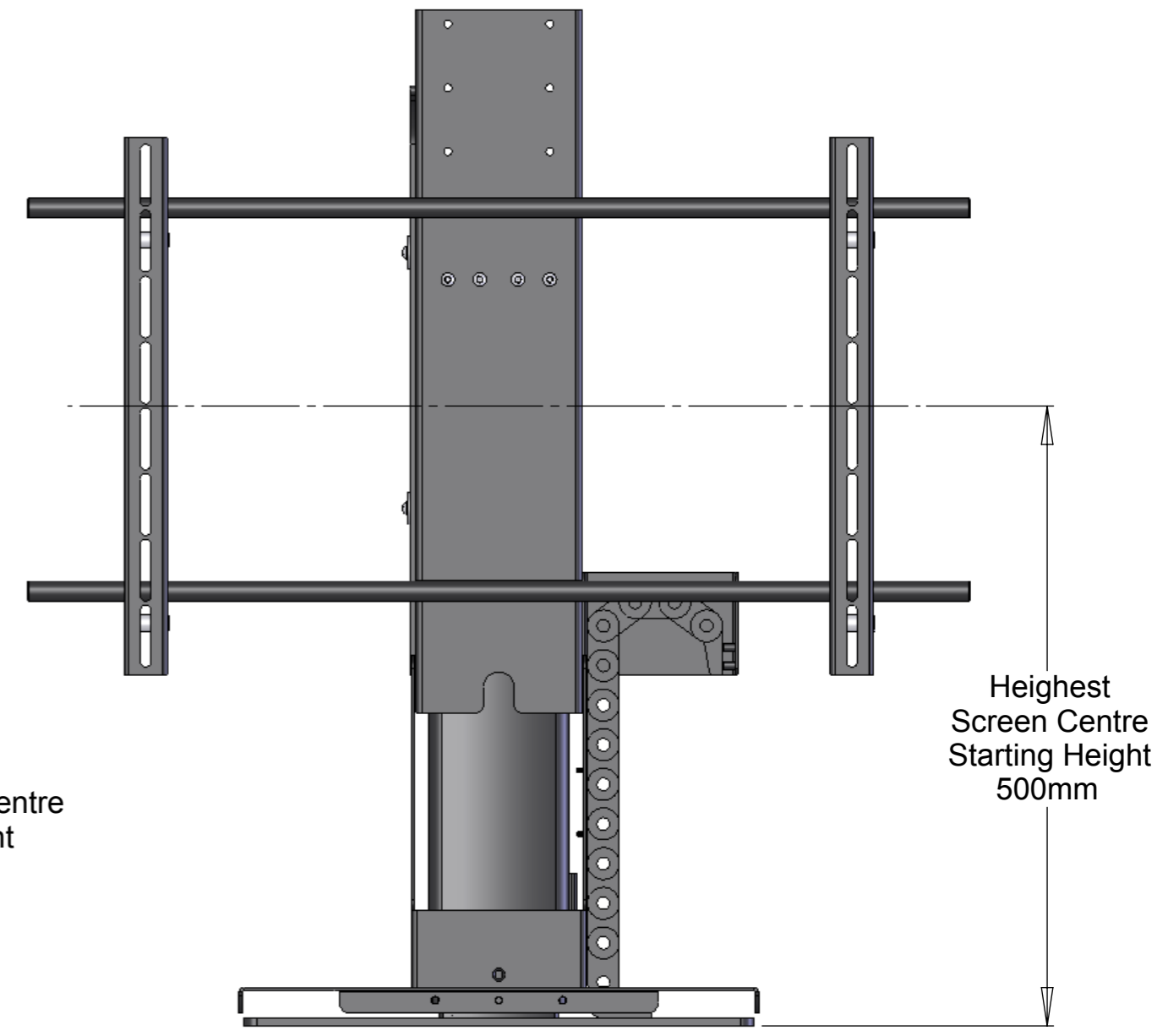
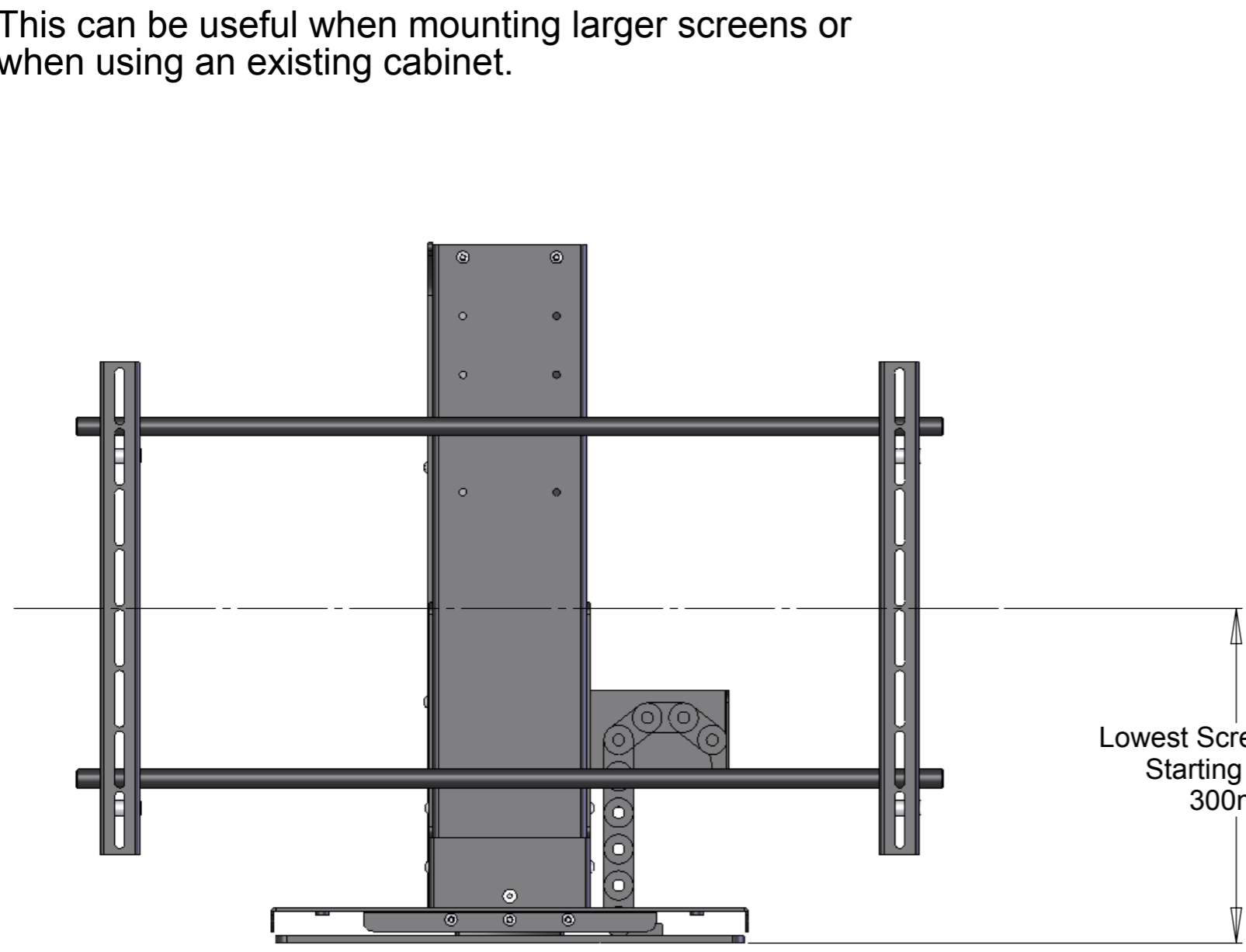


Starting Position Adjustment

The starting position of the screen can be adjusted. From the lowest possible setting, the starting position can be adjusted by 50mm, 100mm or 200mm.

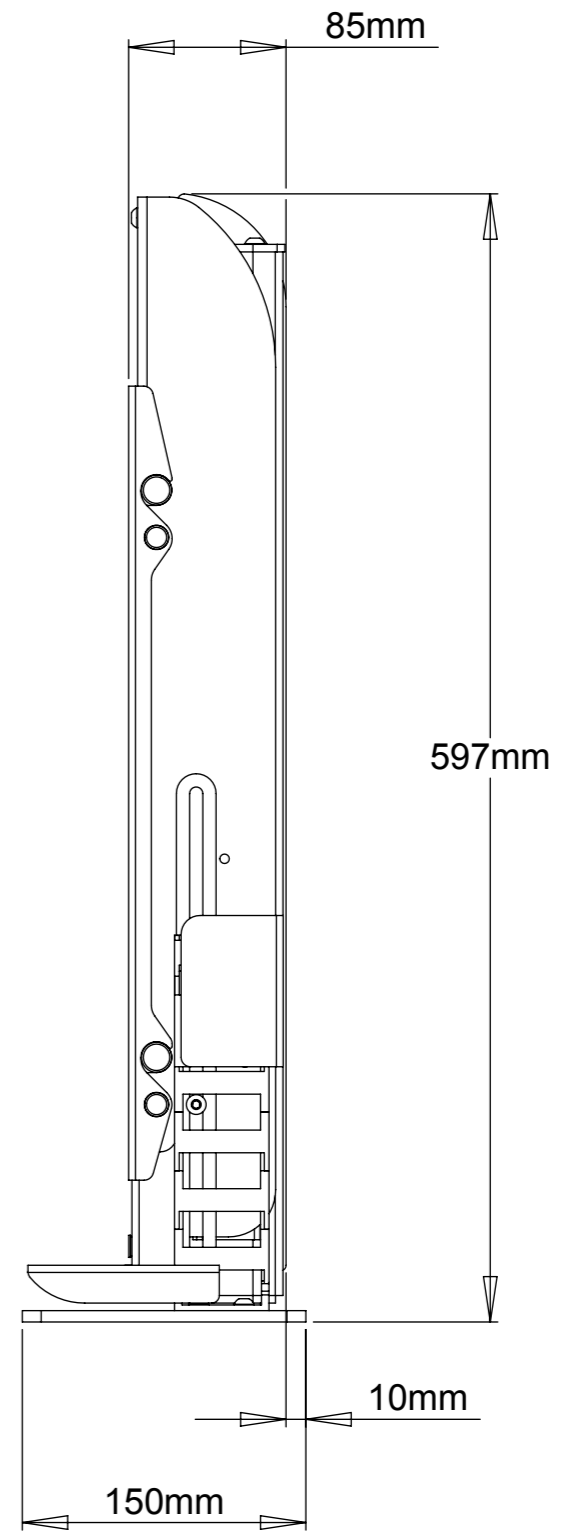
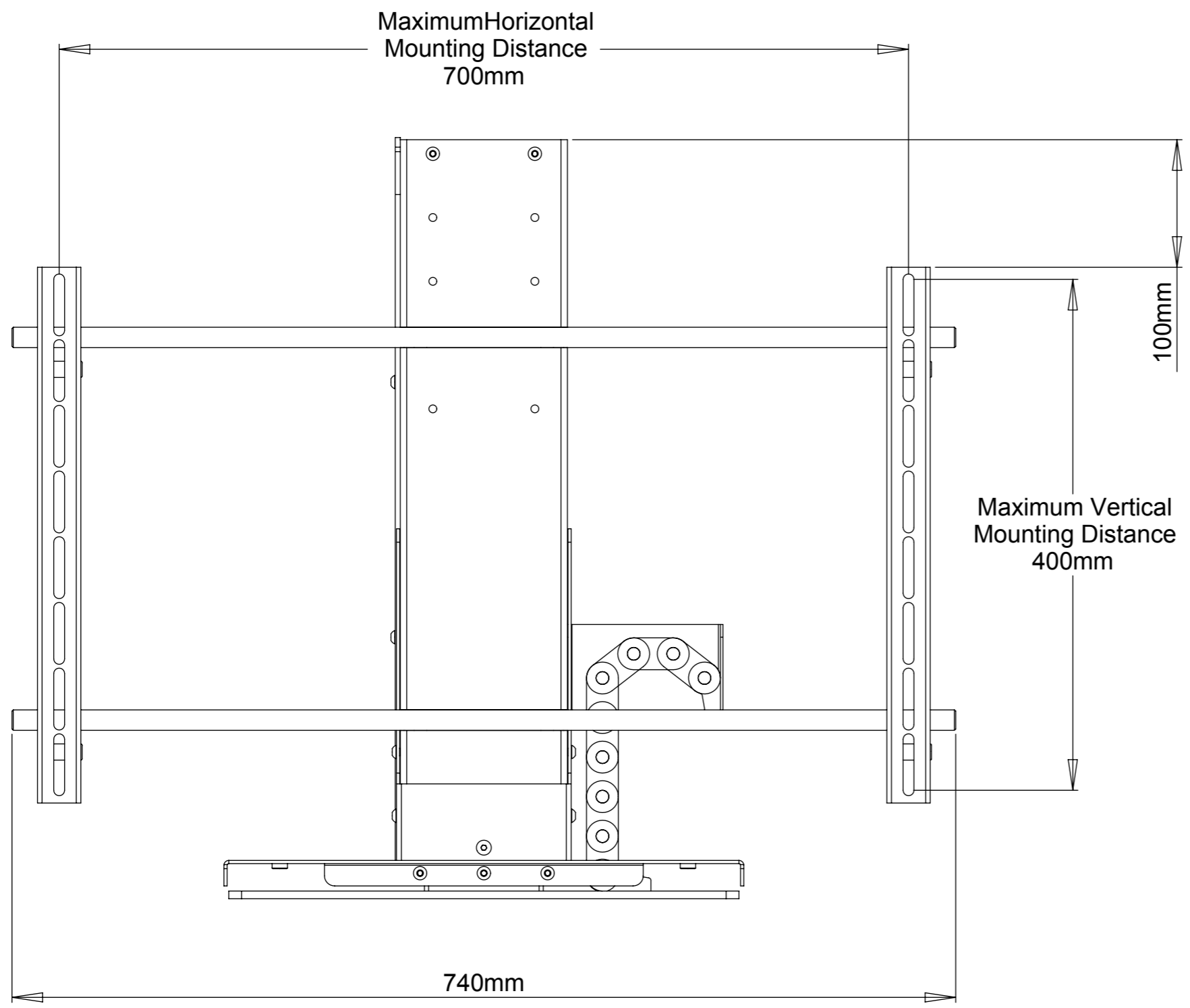
The mechanism will then travel 675mm up from this starting height.

This can be useful when mounting larger screens or when using an existing cabinet.



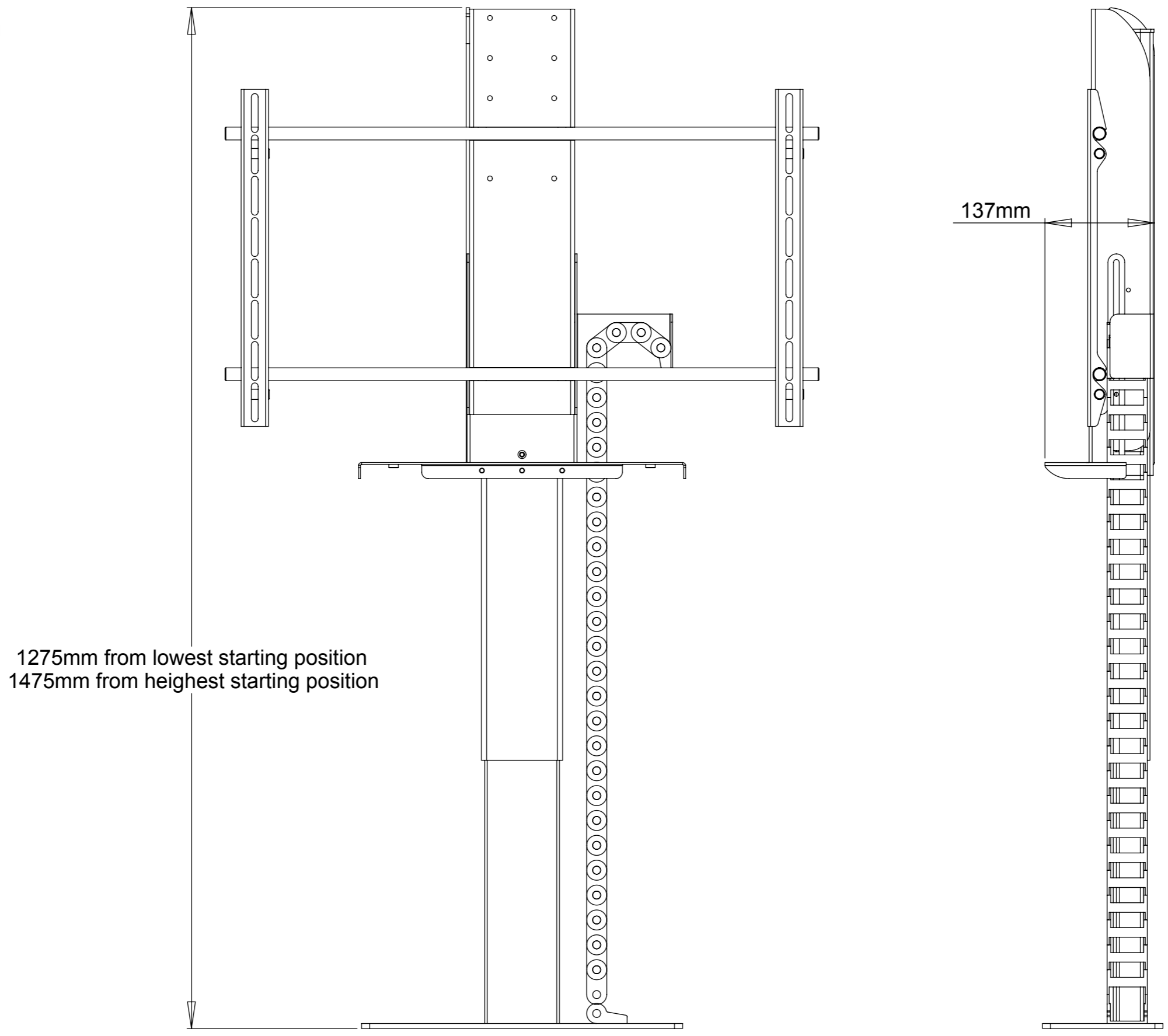
AL675 Mechanism Dimensions

Shown in Down Position



AL675 Mechanism Dimensions

Shown in Up Position



1275mm from lowest starting position
1475mm from highest starting position

137mm